

MINIATURE C12

PHOTOELECTRIC SENSORS

ADVANTAGES

- ✓ Long sensing ranges
- ✓ Background suppression up to 120 mm
- ✓ Excellent background suppression characteristics
- ✓ 45° angle cable outlet for easy installation

WIRING DIAGRAM

PNP or NPN, 1 output



OVERVIEW	C12
Housing material	ABS / PMMA
Light source	Red pinpoint LED 640 nm
Degree of protection	IP 67
Supply voltage range	10 ... 30 VDC
Ambient temperature range	-20 ... +50°C / -4 ... +122 °F
Output current	≤ 50 mA
Switching frequency	≤ 800 Hz

C12 SERIES



C12

HOUSING SIZE MM	□ 13 X 27 X 7	□ 13 X 21 X 7
OPERATING PRINCIPLE	DIFFUSE SENSOR WITH BACKGROUND SUPPRESSION	DIFFUSE SENSOR WITH BACKGROUND SUPPRESSION
SENSING RANGE MM	120	15

Inductive

Photoelectric

Safety

RFID

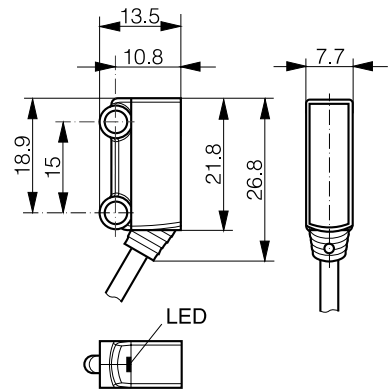
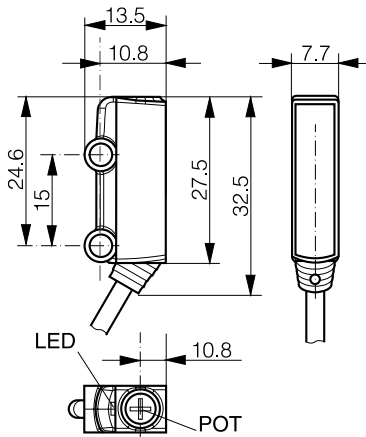
Connectivity

Accessories

Glossary

Index

PHOTOELECTRIC



DATA		
Setup	3-turn potentiometer	-
PNP Light-ON	LHR-C12PA-PLK-303	LHR-C12PA-NSK-303
NPN Light-ON	LHR-C12PA-PLK-301	LHR-C12PA-NSK-301
Other types available	0.2 m cable + connector S8	0.2 m cable + connector S8

MINIATURE

HOUSING SIZE MM

□ 13 X 21 X 7

□ 13 X 21 X 7

OPERATING PRINCIPLE

DIFFUSE SENSOR WITH
BACKGROUND SUPPRESSION

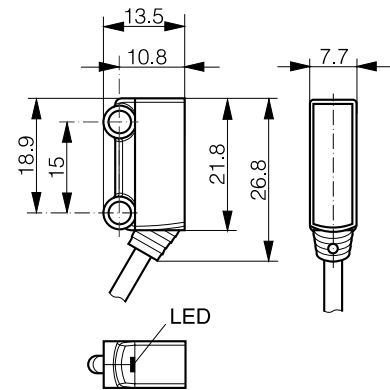
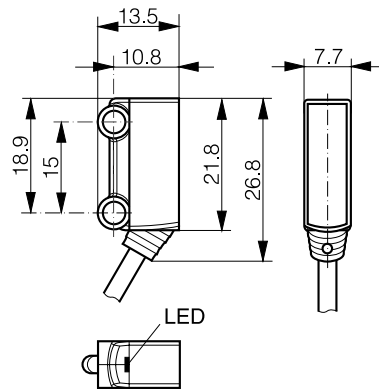
REFLEX SENSOR

SENSING RANGE MM

30

3000

PHOTOELECTRIC



DATA

Setup

-

-

Emitter

PNP Light-ON

LHR-C12PA-NMK-303

NPN Light-ON

LHR-C12PA-NMK-301

PNP Dark-ON

LRR-C12PA-NMK-304

NPN Dark-ON

LRR-C12PA-NMK-302

Other types available

0.2 m cable + connector S8

0.2 m cable + connector S8